

SH20 Series



GENERAL PURPOSE HYDRAULIC & FLUID TRANSFER COUPLINGS

The SH20 Series is a general purpose, double shut-off quick coupling capable of containing a wide variety of fluids. This series can be found anywhere a dependable connection and disconnection of a fluid transfer line is required. Through the years, this interchange has been widely used on both mobile and industrial applications. They can be found on garden tractors, self-propelled combines, skid-steer loaders, wire pullers, and hydraulic presses.



- Leak-free poppet valve or rugged ball style valve available.
- Rated at 6,000 psi maximum operating pressure.
- Compact design with smooth, reliable ball latch connection.
- Interchangeable half-for-half with the Parker/Bruning SM Series and Aeroquip FD48 Series of quick couplings.
- Poppet valve models are 100% leak tested.
- Heavy-duty double shut-off valve design available with either soft seat poppet style valving or ball valve.
- Poppet valve models feature our high flow poppet design with fully captured poppet seal to eliminate seal washout and leakage.
- Available in 1/4" body size with female threads. Both pipe threads and SAE O-Ring Boss (ORB) are available in a variety of sizes as standard.
- Parts are zinc and yellow chromate plated for corrosion resistance.
- Critical parts are hardened for long service life.
- Machined from solid high carbon steel barstock.
- Heavy-duty dust plugs and dust caps are available.
- Method of obtaining and presenting performance data conforms to ANSI/(NFPA)T3.20.2.R2, *Hydraulic fluid power - Quick-action couplings - Test methods*.

PERFORMANCE DATA

Complete Coupler	PART NUMBERS		Body Size	DESCRIPTION Thread Size and Description	OPERATING PRESSURE		RATED FLOW	
	Female Body Half	Male Tip Half			Maximum		GPM	(LPM)
					PSI	(BAR)		
SH20-2	SH25-2	SH21-2	1/4"	1/4" Female Pipe	6,000	(414)	3	(12)
SH20-2P	SH25-2P	SH21-2P	1/4"	1/4" Female Pipe	6,000	(414)	3	(12)
SH20-14	SH25-14	SH21-14	1/4"	9/16"-18 Female ORB	6,000	(414)	3	(12)
SH20-14P	SH25-14P	SH21-14P	1/4"	9/16"-18 Female ORB	6,000	(414)	3	(12)
SH20-2-3P	SH25-2-3P	SH21-2-3P	1/4"	3/8" Female Pipe	6,000	(414)	3	(12)

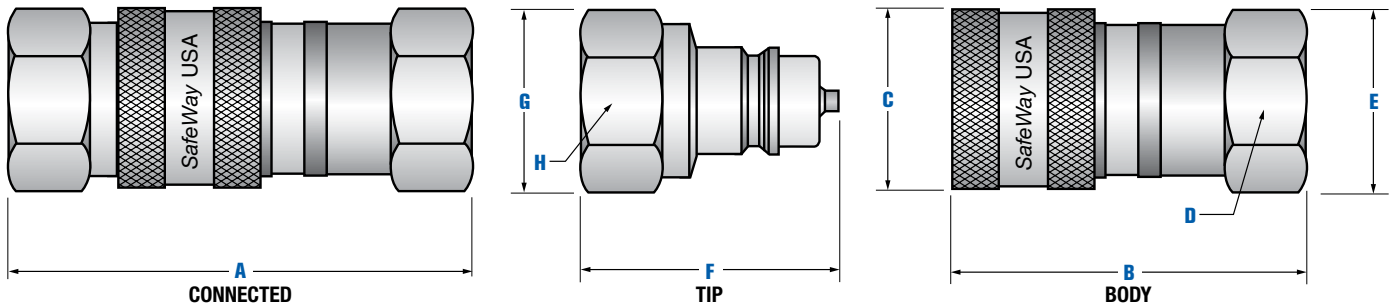
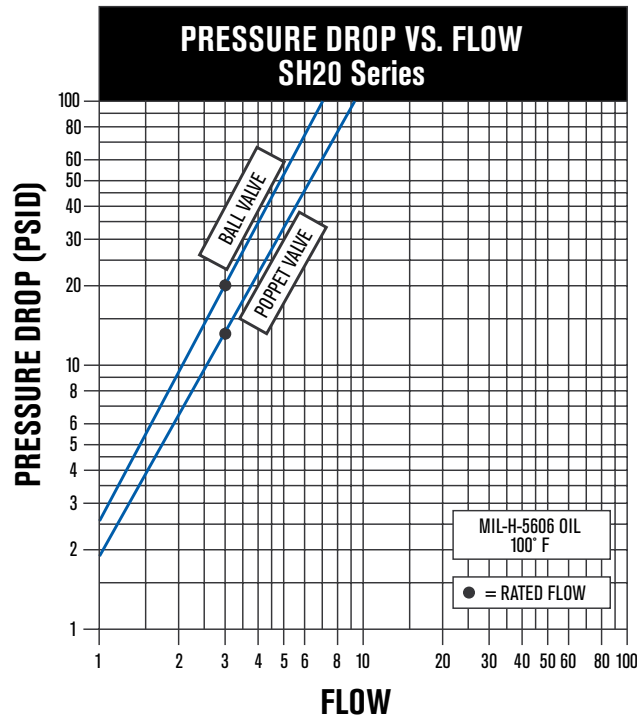
Temperature Range: Standard Seals (Buna-N) -40° to +250° F Viton® Option -15° to +450° F Other Seals Available.
 Vacuum Data: 27.4 inches Hg, both connected and disconnected – Poppet valved models in all sizes (P suffix).

Viton® is a registered trademark of DuPont Dow Elastomers.

Pressure rating (Max. Operating Pressure) is based on Non-Pulsating, Low Cycle applications with essentially steady pressure during the operating cycle. Please consult factory regarding other applications.

GENERAL PURPOSE BRUNING SM SERIES INTERCHANGE COUPLINGS

SH20 SERIES



DIMENSIONS (inches)								
Complete Coupler Number	Overall Length A	Body Length B	Diameter C	Wrench Flat D	Diameter E	Tip Length F	Diameter G	Hex H
SH20-2	2.52	1.94	1.09	.75	.88	1.32	.86	.75
SH20-2P	2.52	1.94	1.09	.75	.88	1.35	.86	.75
SH20-14	2.52	1.94	1.09	.75	.88	1.32	.86	.75
SH20-14P	2.52	1.94	1.09	.75	.88	1.35	.86	.75
SH20-2-3P	2.92	2.14	1.09	.94	1.06	1.57	1.08	.94

See pages 27 and 28 for accessories to the SH20 Series.