

# S40 SERIES

## ONE-HAND OPERATION, GENERAL PURPOSE COUPLINGS

SafeWay's S40 Series is a general purpose, double shut-off fluid transfer quick coupling available with either a rugged ball valve or leak-free, high flow poppet valve. The S40 Series was the first two-way (double acting) sleeve quick coupling, introduced by SafeWay in 1969 as our first product. The S40 Series is widely used wherever the ease and convenience of one-hand connection or disconnection is desired. It is original equipment on a wide variety of agricultural and mobile equipment.

- 1/2" body size meets dimensional requirements of ISO 5675.
- Two-way (double acting) sleeve of the S40 Series allows one-hand connect or disconnect when the coupling is clamp or bulkhead mounted.
- Available in body sizes from 1/4" to 1/2", in a variety of thread sizes and styles.
- Double shut-off design available with either a rugged ball valve or leak-free, high flow poppet valve.
- All poppet valve models are 100% leak tested before leaving the factory.
- Reliable and durable ball locking mechanism provides smooth operation time after time.
- Critical parts are hardened for long service life.
- Two-way sleeve design allows implement break-away when the coupling is clamp or bulkhead mounted.



- Interchangeable half-for-half with Parker/Pioneer 4200 Series.
- Referred to as "old reliable" by hands-on users.
- Dust plugs and dust caps available.
- Heavy-duty double break-away clamp available.
- Heavy-duty snap-rings for bulkhead mounting available.
- Method of obtaining and presenting performance data conforms to ANSI (NFPA) T3.20.2.R2, *Hydraulic fluid power - Quick action couplings - Test methods*.

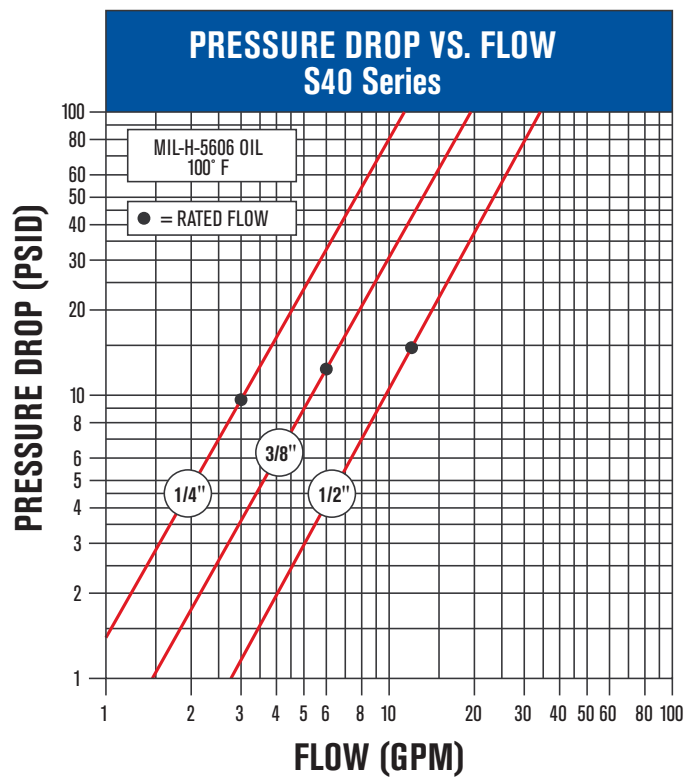
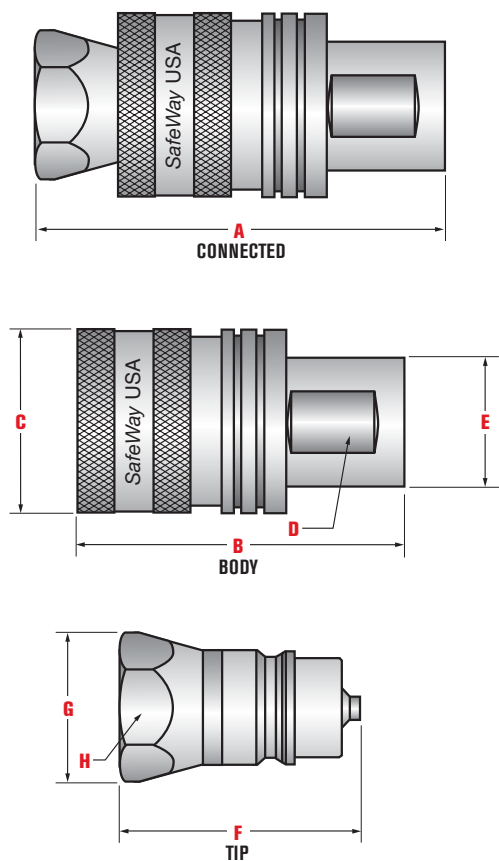
## PERFORMANCE DATA

PART NUMBERS			DESCRIPTION		OPERATING PRESSURE		NFPA RATED FLOW	
Complete Coupler	Female Body Half	Male Tip Half	Body Size	Thread Size and Description	Maximum		GPM	(LPM)
					PSI	(BAR)		
S40-2	S45-2	S41-2	1/4"	1/4" Female Pipe	3,000	(207)	3	(12)
S40-2P	S45-2P	S41-2P	1/4"	1/4" Female Pipe	3,000	(207)	3	(12)
S40-3	S45-3	S41-3	3/8"	3/8" Female Pipe	3,000	(207)	6	(23)
S40-3P	S45-3P	S41-3P	3/8"	3/8" Female Pipe	3,000	(207)	6	(23)
S40-4	S45-4	S71-4	1/2"	1/2" Female Pipe	3,000	(207)	12	(45)
S40-4P	S45-4P	S71-4P	1/2"	1/2" Female Pipe	3,000	(207)	12	(45)
S40-15	S45-15	S71-15	1/2"	3/4"-16 Female ORB	3,000	(207)	12	(45)
S40-15P	S45-15P	S71-15P	1/2"	3/4"-16 Female ORB	3,000	(207)	12	(45)
S40-6	S45-6	S71-6	1/2"	3/4" Female Pipe	3,000	(207)	12	(45)
S40-6P	S45-6P	S71-6P	1/2"	3/4" Female Pipe	3,000	(207)	12	(45)

Temperature Range: Standard Seals (Buna-N) -40° to +250° F Viton® Option -15° to +450° F Other Seals Available.  
 Vacuum Data: 27.4 inches Hg. both connected and disconnected – Poppet valved models in all sizes (P suffix).

Viton® is a registered trademark of DuPont Dow Elastomers.

Pressure rating (Max. Operating Pressure) is based on Non-Pulsating, Low Cycle applications with essentially steady pressure during the operating cycle. Please consult factory regarding other applications.



## DIMENSIONAL DATA

Complete Coupler Number	DIMENSIONS (inches)							
	Overall Length A	Body Length B	Diameter C	Wrench Flat D	Diameter E	Tip Length F	Diameter G	Hex H
S40-2	2.52	1.94	1.07	.75	.84	1.32	.86	.75
S40-2P	2.52	1.94	1.07	.75	.84	1.37	.86	.75
S40-3	3.03	2.31	1.32	.87	1.06	1.58	1.08	.94
S40-3P	3.03	2.31	1.32	.87	1.06	1.67	1.08	.94
S40-4	3.66	2.68	1.50	.93	1.06	1.94	1.22	1.06
S40-4P	3.66	2.68	1.50	.93	1.06	1.96	1.22	1.06
S40-15	3.66	2.68	1.50	.93	1.06	1.94	1.22	1.06
S40-15P	3.66	2.68	1.50	.93	1.06	1.96	1.22	1.06
S40-6	4.07	2.90	1.50	1.25	1.43	2.16	1.43	1.25
S40-6P	4.07	2.90	1.50	1.25	1.43	2.18	1.43	1.25

See pages 34-36 for accessories to the S40 Series.