

S30 SERIES

DEPENDABLE HIGH PRESSURE & HIGH FLOW WORKHORSE

The S30 Series is a special purpose, double shut-off fluid transfer quick coupling that provides significantly less pressure drop than couplings of the same type produced by other manufacturers. A threaded sleeve locking mechanism mates the coupling halves and allows connection-under-pressure up to a maximum of 1,000 psi. Our heavy-duty poppet valving, while fully interchangeable with ball check models (including older SafeWay products), eliminates low pressure leakage. The S30 Series is designed for extreme high pressure applications, including portable hydraulic rams, wire pullers, and frame straightening equipment.

- SafeWay's S30 Series outperforms other brands by 100%!
- Full-flow design provides less than half the pressure loss of other brands, allowing for quicker ram response.
- Meets dimensional requirements of this accepted interchange.
- Interchangeable half-for-half with the Parker/Pioneer 3000 Series, Enerpac C-604, Eaton W56 Series, Faster PVVM and PVSM and Power Team 9795.
- Available in 1/4" and 3/8" body size with pipe thread standard.
- Poppet style valving with double shut-off. Captive poppet seal provides a durable, guaranteed leak-free seal.
- All S30 Series quick couplings are 100% leak tested.
- Fully interchangeable, half-for-half, with ball valve designs.
- Machined from solid steel barstock.



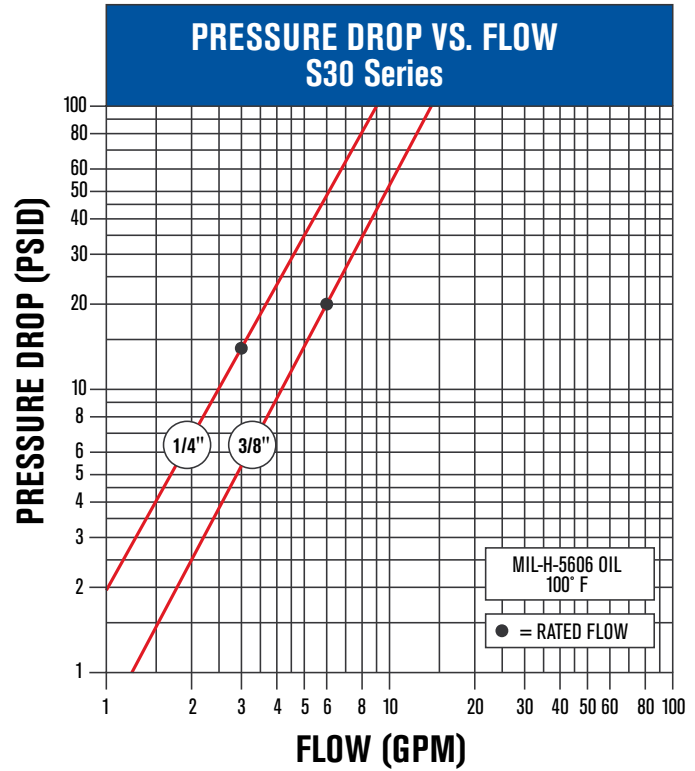
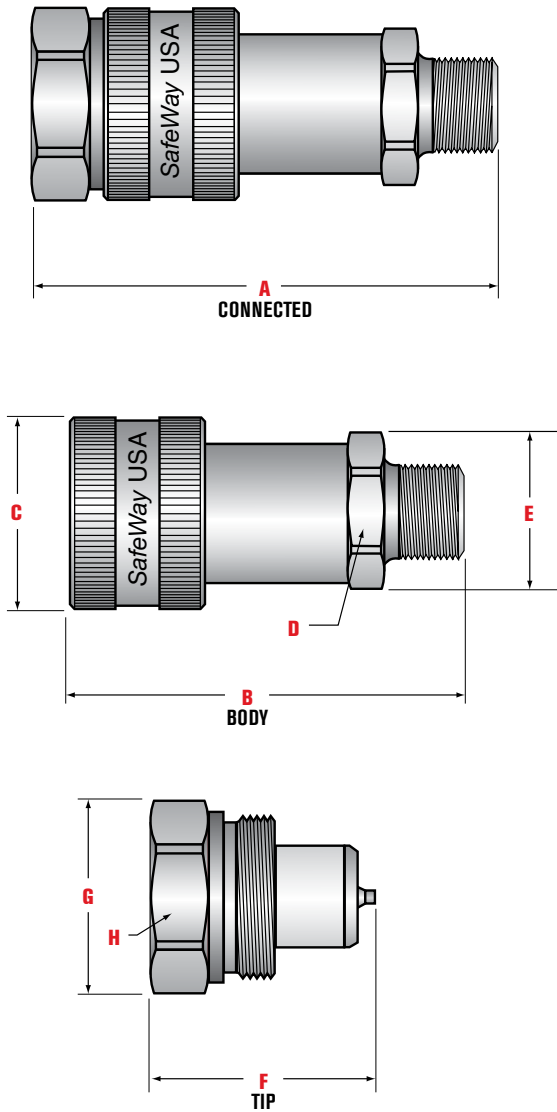
- Designed for extreme high pressure applications such as portable hydraulic rams, wire pullers, etc.
- Rated working pressure of 10,000 psi in all sizes. Threaded sleeve locking mechanism mates coupling halves. Couplings can be connected under pressure up to 1,000 psi.
- Heavy-duty steel dust caps and dust plugs are available.
- Method of obtaining and presenting performance data conforms to ANSI (NFPA) T3.20.2.R2, *Hydraulic fluid power - Quick action couplings - Test methods*.

PERFORMANCE DATA

PART NUMBERS			DESCRIPTION		OPERATING PRESSURE		NFPA RATED FLOW	
Complete Coupler	Female Body Half	Male Tip Half	Body Size	Thread Size and Description	Maximum		GPM	(LPM)
					PSI	(BAR)		
S30-2P	S35-2P	S31-2P	1/4"	1/4" Female/Male Pipe	10,000	(690)	3	(12)
S30-2P-6W	S35-2P-6W	S31-2P-6W	1/4"	9/16"-18 Male ORB	10,000	(690)	3	(12)
S30-3P	S35-3P	S31-3P	3/8"	3/8" Female Male Pipe	10,000	(690)	6	(23)

Temperature Range: Standard Seals (Buna-N) -40° to +250° F Polyurethane Option -40° to +212° F Other Seals Available.
 Vacuum Data: 27.4 inches Hg, both connected and disconnected - all sizes.

Pressure rating (Max. Operating Pressure) is based on Non-Pulsating, Low Cycle applications with essentially steady pressure during the operating cycle. Please consult factory regarding other applications.



DIMENSIONAL DATA

Complete Coupler Number	DIMENSIONS (inches)							
	Overall Length A	Body Length B	Diameter C	Hex D	Diameter E	Tip Length F	Diameter G	Wrench Hex Flat H
S30-2P	2.78	2.27	1.19	.81	.93	1.36	1.06	.87
S30-2P-6W	2.92	2.27	1.12	.81	.96	1.50	1.30	1.12
S30-3P	3.35	2.82	1.38	1.00	1.12	1.65	1.40	1.25

See pages 34-36 for accessories to the S30 Series.