

# FFE49 SERIES

## FLUSH FACE, HEAVY DUTY, NON-SPILL QUICK COUPLINGS

SafeWay's FFE49 Series is a non-spill, push-to-connect, fluid transfer quick coupling designed for use with most industrial fluids. This series is interchangeable with quick couplings meeting Industry Standard ISO 16028 dimensional requirements, and our field proven, heavy-duty FF49 Series. Some basic applications include skid steer loaders, power utility equipment, construction equipment, agricultural equipment, and hydraulic hand tools. Use this quick coupling series whenever spillage can result in a safety or environmental hazard, when air inclusion during connection to a hydraulic system cannot be tolerated, and when international interchangeability with other brands is required.

- Smooth, one hand, push-to-connect locking mechanism.
- Minimum air inclusion during connection and minimum fluid spillage during disconnection.
- Interchangeable half-for-half with Parker/Pioneer FEM Series, Eaton FF Series, Holmbury HQ Series, Faster 2FFI Series, and others conforming to ISO 16028 dimensional requirements.
- Rugged flush face valving allows easy cleaning to minimize system contamination.
- Maximum flow for quick system response.
- Available in ISO 1/4" through ISO 1" body size in a variety of thread sizes and styles.
- If you require a 3/8" size please use the FF49 Series, which meets the interchange requirements of ISO 16028 while providing higher operating psi.



- Anti-blowout Buna and Teflon® tip half seals reduce the likelihood of premature failure due to connection under residual system pressure. Maximum residual system pressure is 250 psi.
- All FFE49 Series quick couplings are 100% leak tested before leaving the factory.
- Heat treated surfaces resist wear.
- Sleeve lock option, to minimize accidental disconnect, is available upon request.
- Method of obtaining and presenting performance data conforms to ANSI (NFPA) T3.20.2.R2, *Hydraulic fluid power - Quick action couplings - Test methods.*

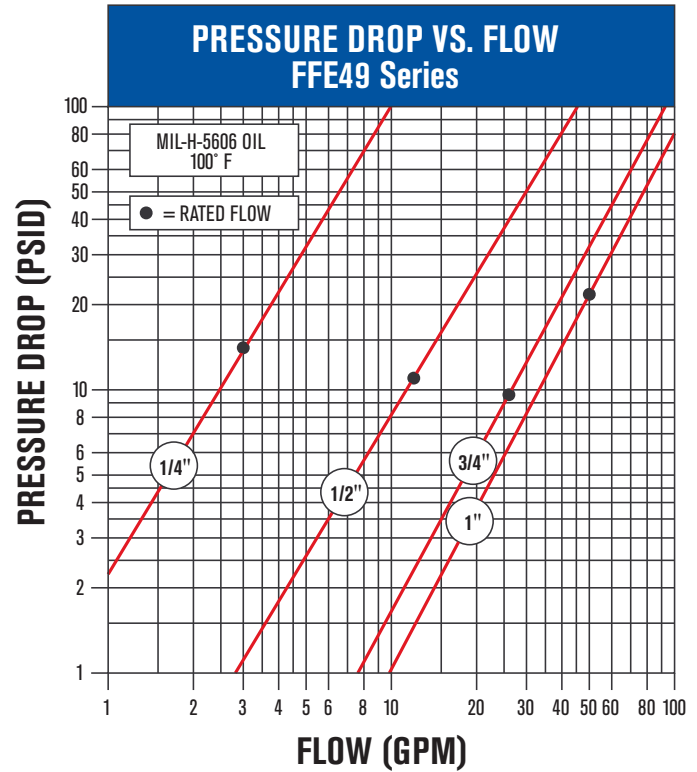
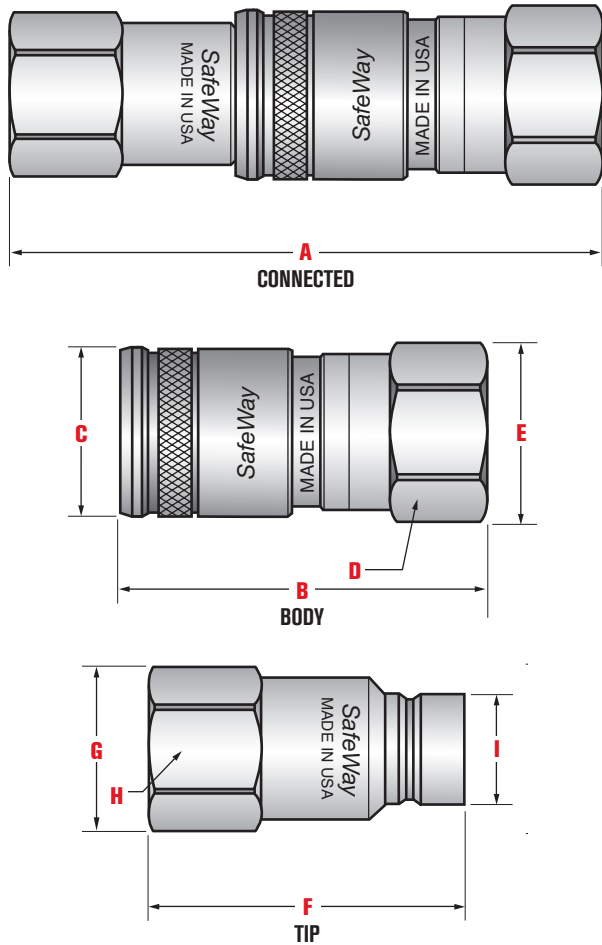
## PERFORMANCE DATA

PART NUMBERS			DESCRIPTION		OPERATING PRESSURE		NFPA RATED FLOW		MAX. SPILLAGE
Complete Coupler	Female Body Half	Male Tip Half	Body Size	Thread Size and Description	Maximum		GPM	(LPM)	(per disconnect)
					PSI	(BAR)			CC
FFE49-2	FFE495-2	FFE491-2	1/4"	1/4" Female NPT	5,000	(345)	3	(12)	.01
FFE49-4	FFE495-4	FFE491-4	1/2"	1/2" Female NPT	4,000	(276)	12	(45)	.04
FFE49-4-3/4	FFE495-4-3/4	FFE491-4-3/4	1/2"	3/4" Female NPT	4,000	(276)	12	(45)	.04
FFE49-4-10	FFE495-4-10	FFE491-4-10	1/2"	7/8"-14 Female ORB	4,000	(276)	12	(45)	.04
FFE49-4-12	FFE495-4-12	FFE491-4-12	1/2"	1-1/16"-12 Female ORB	4,000	(276)	12	(45)	.04
FFE49-6	FFE495-6	FFE491-6	3/4"	3/4" Female NPT	4,000	(276)	26	(100)	.10
FFE49-6-1	FFE495-6-1	FFE491-6-1	3/4"	1" Female NPT	4,000	(276)	26	(100)	.10
FFE49-6-16	FFE495-6-16	FFE491-6-16	3/4"	1-5/16"-12 Female ORB	4,000	(276)	26	(100)	.10
FFE49-8	FFE495-8	FFE491-8	1"	1" Female NPT	3,000	(207)	50	(189)	.20
FFE49-8-114	FFE495-8-114	FFE491-8-114	1"	1-1/4" Female NPT	3,000	(207)	50	(189)	.20
FFE49-8-20	FFE495-8-20	FFE491-8-20	1"	1-5/8"-12 Female ORB	3,000	(207)	50	(189)	.20

Temperature Range: Standard Seals (Buna-N) -40° to +250° F Viton® Option -15° to +450° F Other Seals Available.  
 Vacuum Data: 27.4 inches Hg. both connected and disconnected.

Viton® is a registered trademark of DuPont Dow Elastomers.

Pressure rating (Max. Operating Pressure) is based on Non-Pulsating, Low Cycle applications with essentially steady pressure during the operating cycle. Please consult factory regarding other applications.



## DIMENSIONAL DATA

Complete Coupler Number	DIMENSIONS (inches)								
	Overall Length A	Body Length B	Diameter C	Hex D	Diameter E	Tip Length F	Diameter G	Hex H	Tip Diameter I
FFE49-2	3.60	2.21	1.06	.88	.95	1.82	.95	.88	.64
FFE49-4	5.18	3.06	1.50	1.38	1.57	2.77	1.42	1.25	.96
FFE49-4-3/4	5.20	3.06	1.50	1.38	1.57	2.81	1.55	1.38	.96
FFE49-4-10	5.33	3.19	1.50	1.38	1.57	2.94	1.42	1.25	.96
FFE49-4-12	5.60	3.29	1.50	1.38	1.57	2.98	1.55	1.38	.96
FFE49-6	6.07	3.77	1.82	1.62	1.82	3.17	1.82	1.62	1.18
FFE49-6-1	6.29	3.88	1.82	1.62	1.82	3.28	1.82	1.62	1.18
FFE49-6-16	6.49	3.98	1.82	1.62	1.82	3.38	1.82	1.62	1.18
FFE49-8	6.76	4.25	2.25	2.00	2.24	3.44	2.24	2.00	1.42
FFE49-8-114	6.76	4.25	2.25	2.00	2.24	3.44	2.24	2.00	1.42
FFE49-8-20	6.76	4.25	2.25	2.00	2.24	3.44	2.24	2.00	1.42

See pages 34-36 for accessories to the FFE49 Series.