

S20 SERIES

RELIABLE, ECONOMICAL, GENERAL PURPOSE COUPLINGS

SafeWay's S20 Series is a general purpose, double shut-off, fluid transfer quick coupling available with either a rugged ball valve or leak-free, high flow poppet valve. The S20 Series is used primarily on agricultural equipment and is recognized as an economical and reliable quick coupling. This series is original equipment on snow plows, garden tractors, full size tractors, front-end loaders, skid steer loaders, earth moving, and mining equipment.



- 1/2" body size meets dimensional requirements of ISO 5675.
- Available in body sizes from 1/4" through 1", in a variety of thread sizes and styles.
- Double shut-off design available with either a rugged ball valve or leak-free, high flow poppet valve.
- All poppet valve models are 100% leak tested before leaving the factory.
- Reliable and durable ball locking mechanism provides smooth operation time after time.
- Critical parts are hardened for long service life.

- One-way sleeve design allows implement break-away when the coupling is clamp mounted.
- Interchangeable half-for-half with the Parker/Pioneer 4000 Series.
- Referred to as "old reliable" by hands-on users.
- Dust plugs and dust caps available.
- Heavy-duty double break-away clamp available.
- Method of obtaining and presenting performance data conforms to ANSI (NFPA) T3.20.2.R2, *Hydraulic fluid power - Quick action couplings - Test methods*.

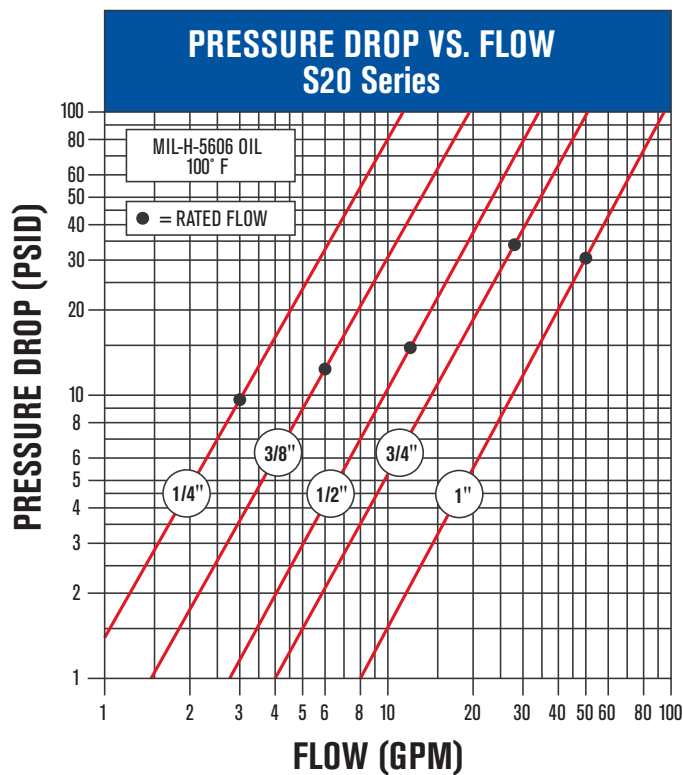
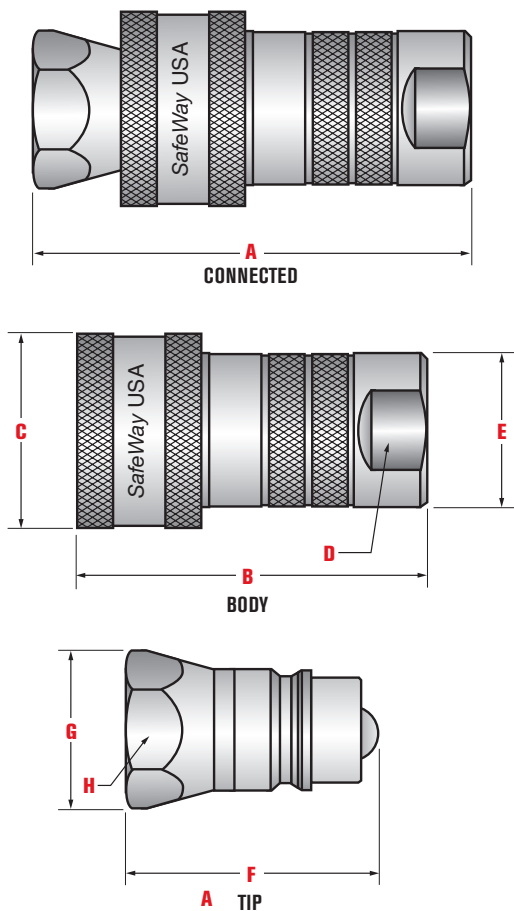
PERFORMANCE DATA

PART NUMBERS			DESCRIPTION		OPERATING PRESSURE		NFPA RATED FLOW	
Complete Coupler	Female Body Half	Male Tip Half	Body Size	Thread Size and Description	Maximum		GPM	(LPM)
					PSI	(BAR)		
S20A-2	S25A-2	S41-2	1/4"	1/4" Female Pipe	3,000	(207)	3	(12)
S20A-2P	S25A-2P	S41-2P	1/4"	1/4" Female Pipe	3,000	(207)	3	(12)
S20-3	S25-3	S41-3	3/8"	3/8" Female Pipe	3,000	(207)	6	(23)
S20-3P	S25-3P	S41-3P	3/8"	3/8" Female Pipe	3,000	(207)	6	(23)
S20-4	S25-4	S71-4	1/2"	1/2" Female Pipe	3,000	(207)	12	(45)
S20-4P	S25-4P	S71-4P	1/2"	1/2" Female Pipe	3,000	(207)	12	(45)
S20-15	S25-15	S71-15	1/2"	3/4"-16 Female ORB	3,000	(207)	12	(45)
S20-15P	S25-15P	S71-15P	1/2"	3/4"-16 Female ORB	3,000	(207)	12	(45)
S20-16	S25-16	S71-16	1/2"	7/8"-14 Female ORB	3,000	(207)	12	(45)
S20-16P	S25-16P	S71-16P	1/2"	7/8"-14 Female ORB	3,000	(207)	12	(45)
S20F-6	S25F-6	S21F-6	3/4"	3/4" Female Pipe	3,000	(207)	28	(106)
S20-8P	S25-8P	S21-8P	1"	1" Female Pipe	3,000	(207)	50	(189)

Temperature Range: Standard Seals (Buna-N) -40° to +250° F Viton® Option -15° to +450° F Other Seals Available.
 Vacuum Data: 27.4 inches Hg. both connected and disconnected – Poppet valved models in all sizes (P suffix).

Viton® is a registered trademark of DuPont Dow Elastomers.

Pressure rating (Max. Operating Pressure) is based on Non-Pulsating, Low Cycle applications with essentially steady pressure during the operating cycle. Please consult factory regarding other applications.



DIMENSIONAL DATA

Complete Coupler Number	DIMENSIONS (inches)							
	Overall Length A	Body Length B	Diameter C	Wrench Flat D	Diameter E	Tip Length F	Diameter G	Hex H
S20A-2	2.52	1.94	1.06	.87	.88	1.32	.86	.75
S20A-2P	2.52	1.94	1.06	.87	.88	1.37	.86	.75
S20-3	3.03	2.31	1.32	.87	1.00	1.58	1.08	.94
S20-3P	3.03	2.31	1.32	.87	1.00	1.67	1.08	.94
S20-4	3.66	2.68	1.50	1.00	1.17	1.94	1.22	1.06
S20-4P	3.66	2.68	1.50	1.00	1.17	1.96	1.22	1.06
S20-15	3.66	2.68	1.50	1.00	1.17	1.94	1.22	1.06
S20-15P	3.66	2.68	1.50	1.00	1.17	1.96	1.22	1.06
S20-16	3.66	2.68	1.50	1.00	1.17	1.94	1.22	1.06
S20-16P	3.66	2.68	1.50	1.00	1.17	1.96	1.22	1.06
S20F-6	4.02	3.02	1.88	1.31	1.49	2.15	1.52	1.38
S20-8P	4.52	3.43	2.07	1.62	1.86	2.49	1.88	1.62

See pages 34-36 for accessories to the S20 Series.