

S70 SERIES

ONE-HAND CONNECTION UNDER FULL SYSTEM PRESSURE

SafeWay's S70 Series offers unique internal valving, combined with SafeWay's two-way sleeve feature, allowing one-hand connection under full system pressure. The body (coupling) half can be mated to either a ball valve or poppet valve ISO male tip (nipple). The S70 Series is used primarily with agricultural equipment. It is original equipment on full size tractors and front-end loaders. Use when connection and disconnection-under-pressure, without the use of tools, is desirable.

- 1/2" body size couplers and male tips meet ISO 5675 interchangeability and performance requirements.
- After connection, the hydraulic circuit automatically opens when the hydraulic system is operated.
- Available in 1/2" body size, in a variety of thread sizes and styles.
- All poppet valve models are 100% leak tested before leaving the factory.
- Easy one-hand connection to a clamp or bulkhead mounted coupler while male tip and female body half are both—or either—under pressure.
- Heavy-duty double break-away clamp available.
- Critical parts are hardened for long service life.



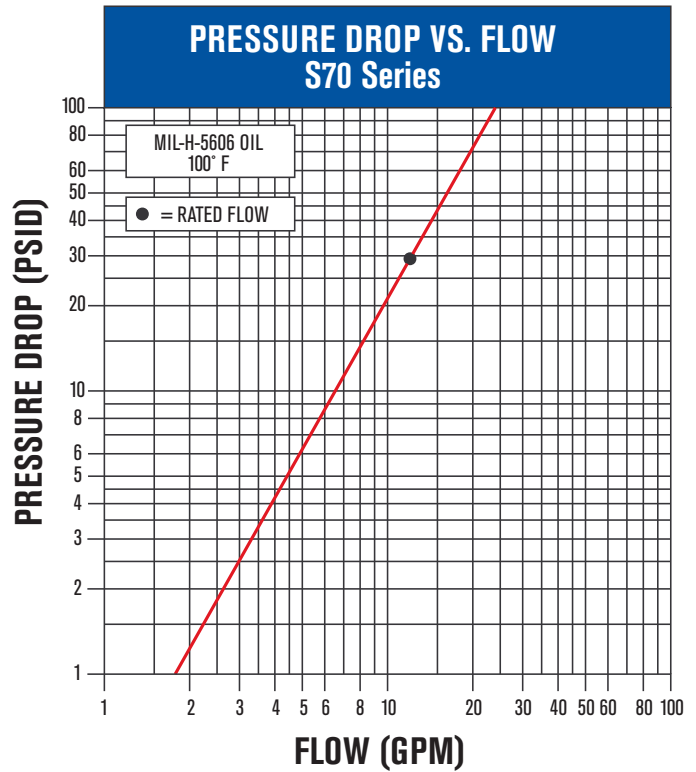
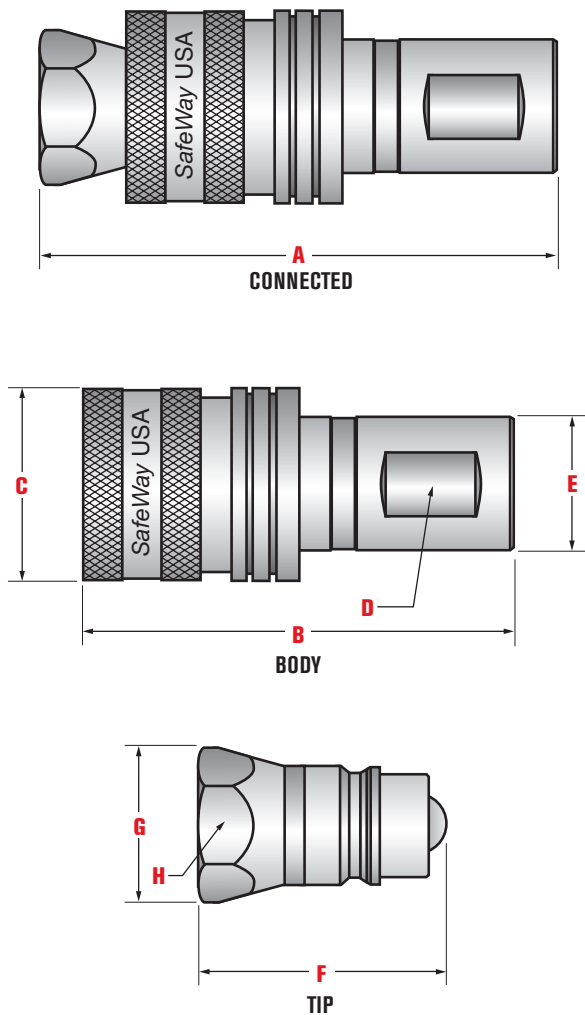
- Two-way sleeve design allows one-hand connection and break-away when clamp or bulkhead mounted. Clamp and snap-rings available.
- Interchangeable half-for-half with the Parker/Pioneer 8200 Series.
- Dust plugs and dust caps available.
- May be used with either an open center or closed center hydraulic system that has a control valve.
- Method of obtaining and presenting performance data conforms to ANSI (NFPA) T3.20.2.R2, *Hydraulic fluid power - Quick action couplings - Test methods*.

PERFORMANCE DATA

PART NUMBERS			DESCRIPTION		OPERATING PRESSURE		NFPA RATED FLOW	
Complete Coupler	Female Body Half	Male Tip Half	Body Size	Thread Size and Description	Maximum		GPM	(LPM)
					PSI	(BAR)		
S70-4	S75-4	S71-4	1/2"	1/2" Female Pipe	3,000	(207)	12	(45)
S70-4P	S75-4	S71-4P	1/2"	1/2" Female Pipe	3,000	(207)	12	(45)
S70-15	S75-15	S71-15	1/2"	3/4"-16 Female ORB	3,000	(207)	12	(45)
S70-15P	S75-15	S71-15P	1/2"	3/4"-16 Female ORB	3,000	(207)	12	(45)
S70-16	S75-16	S71-16	1/2"	7/8"-14 Female ORB	3,000	(207)	12	(45)
S70-16P	S75-16	S71-16P	1/2"	7/8"-14 Female ORB	3,000	(207)	12	(45)

Temperature Range: Standard Seals (Buna-N) -40° to +250° F Standard Body Poppet Seal (Polyurethane) -30° to +230° F Other Seals Available.
 Vacuum Data: 27.4 inches Hg, both connected and disconnected – Poppet valved models in all sizes (P suffix).

Pressure rating (Max. Operating Pressure) is based on Non-Pulsating, Low Cycle applications with essentially steady pressure during the operating cycle. Please consult factory regarding other applications.



DIMENSIONAL DATA

Complete Coupler Number	DIMENSIONS (inches)							
	Overall Length A	Body Length B	Diameter C	Wrench Flat D	Diameter E	Tip Length F	Diameter G	Hex H
S70-4	4.34	3.39	1.50	.93	1.06	1.94	1.22	1.06
S70-4P	4.34	3.39	1.50	.93	1.06	1.96	1.22	1.06
S70-15	4.34	3.39	1.50	.93	1.06	1.94	1.22	1.06
S70-15P	4.34	3.39	1.50	.93	1.06	1.96	1.22	1.06
S70-16	4.34	3.39	1.50	1.00	1.06	1.94	1.22	1.06
S70-16P	4.34	3.39	1.50	1.00	1.06	1.96	1.22	1.06

See pages 34-36 for accessories to the S70 Series.